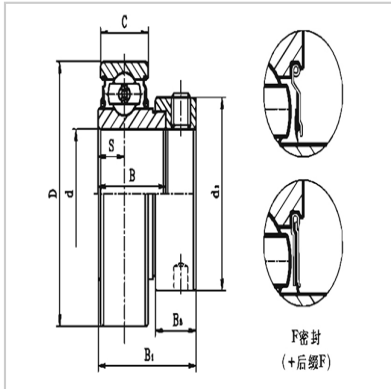
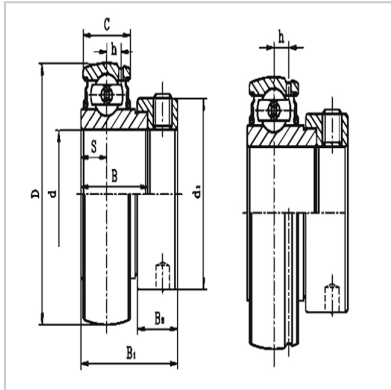


Outer spherical ball bearing

GRA2 , GRA2G , RA2 series-~~GRA205~~GRA205



Bearing Unit No. : GRA205

Shaft diamete :

d(mm) : 25

d(inch) : -

Boundary dimensions (mm) /(in.) :

D : 52/2.0472

C : 15/0.5906

h : 4.3/0.1693

S : 7.5/0.2953

B1 : 30.9/1.2165

B : 21.4/0.8425

B3 : 13.5/0.5315

d1 : 37.4/1.4724

Basic Load Rating (N) :

Dynamic load (Cr) : 14000

Static load (Cor) : 7880

Weight (Kg) : 0.19