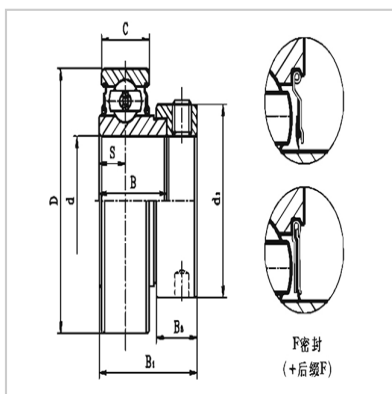
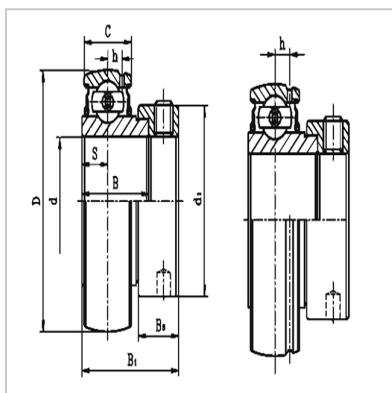


Outer spherical ball bearing

GRA2 , GRA2G , RA2 series-**GRA206-18**GRA206-18



Bearing Unit No. : GRA206-18

Shaft diamete :

d(mm) : -
d(inch) : 1-1/8

Boundary dimensions (mm) /(in.) :

D : 62/2.4409
C : 18/0.7087
h : 5/0.1969
S : 9/0.3543
B1 : 35.7/1.4055
B : 23.8/0.9370
B3 : 15.9/0.6260
d1 : 44.1/1.7362

Basic Load Rating (N) :

Dynamic load (Cr) : 19500
Static load (Cor) : 11200
Weight (Kg) : 0.33