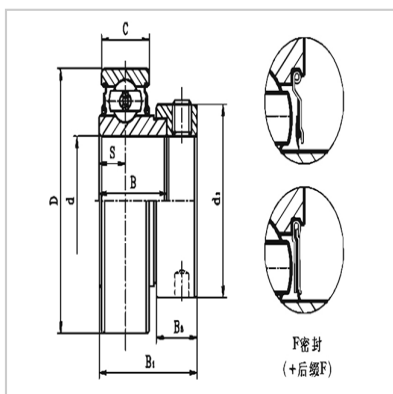
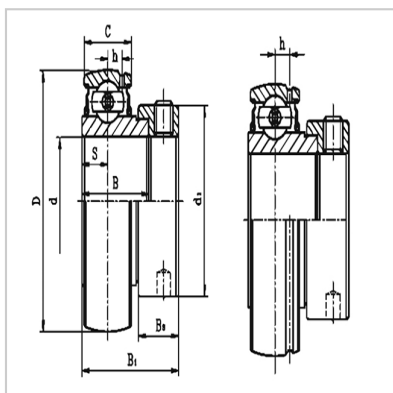


Outer spherical ball bearing

GRA2 , GRA2G , RA2 series-RA203RA203



Bearing Unit No. : RA203

Shaft diamete :

d(mm) : 17

d(inch) : -

Boundary dimensions ( mm ) /(in.) :

D : 40/1.5748

C : 12/0.4724

h : 3.6/0.1417

S : 6.5/0.2559

B1 : 28.6/1.1260

B : 19.1/0.7520

B3 : 13.5/0.5315

d1 : 27.2/1.0709

Basic Load Rating ( N ) :

Dynamic load (Cr) : 9550

Static load (Cor) : 4780

Weight ( Kg ) : 0.1

: