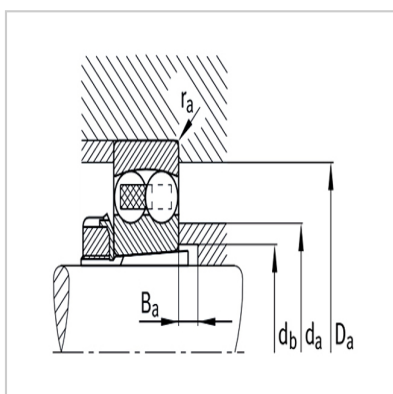
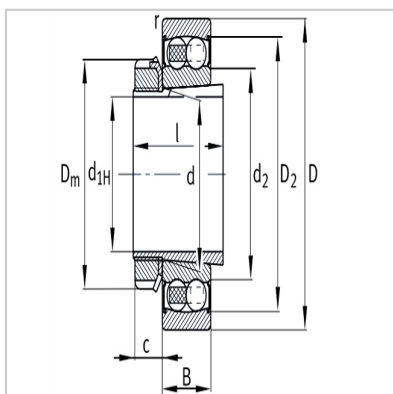
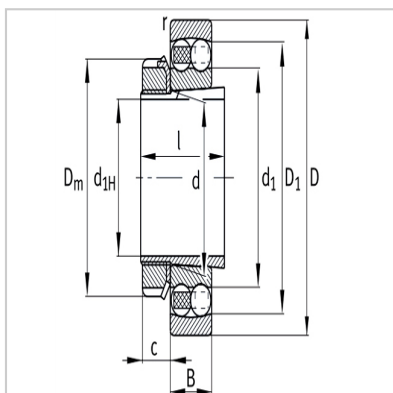


Self-aligning ball bearing

With set sleeve (open or sealed)-2207-K-2RS-TVH-C3H307



Bearing number :

| | |
|---------------------|-------------------|
| Bearing : | 2207-K-2RS-TVH-C3 |
| Tightening sleeve : | H307 |

Weight (m) :

| | |
|------------------------|-------|
| Bearing kg : | 0.432 |
| Tightening sleeve kg : | 0.147 |

Size (mm) :

| | |
|-------------|------|
| d_{1H} : | 30 |
| d : | 35 |
| D : | 72 |
| B : | 23 |
| r_{min} : | 1.1 |
| D_1 : | - |
| D_2 : | 64.3 |
| d_1 : | - |
| d_2 : | 43.5 |
| D_m : | 57 |
| l : | 35 |
| c : | 10 |

Installation size (mm) :

| | |
|--------------|----|
| d_{amax} : | 45 |
| D_{amax} : | 65 |
| d_{bmin} : | 38 |
| B_{amin} : | 5 |
| r_{amax} : | 1 |

Basic rated load (N) :

| | |
|------------------------|-------|
| Dynamic load C_r : | 16000 |
| Static load C_{or} : | 5100 |

Calculate coefficient :

| | |
|-------|------|
| e : | 0.22 |
|-------|------|

| | |
|------------------------------|------|
| Y ₁ : | 2.8 |
| Y ₂ : | 4.34 |
| Y ₀ : | 2.94 |
| Fatigue ultimate loadCur/N : | 315 |
| Extreme speednG/min-1 : | 7000 |
| Reference speednB/min-1 : | - |

: